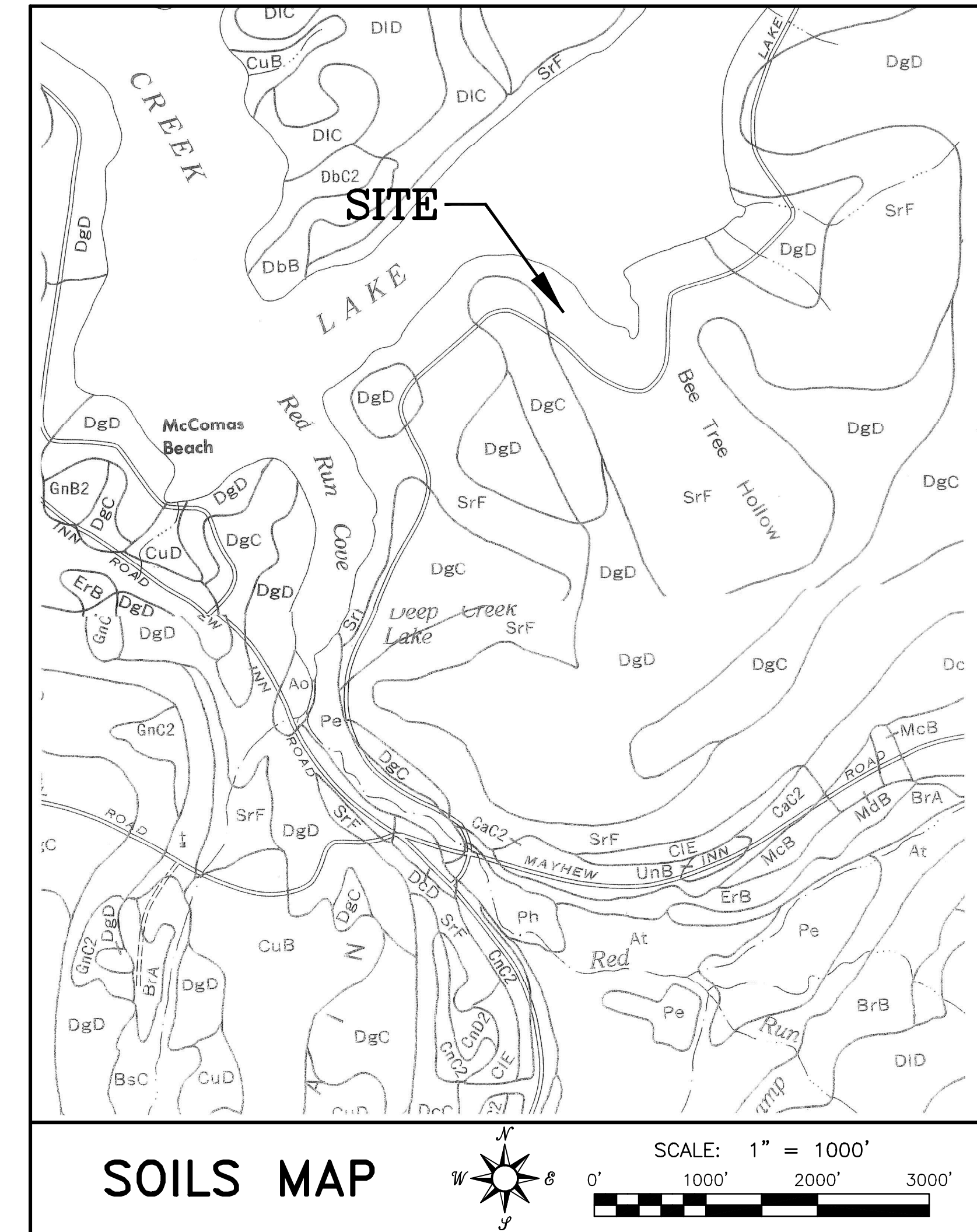
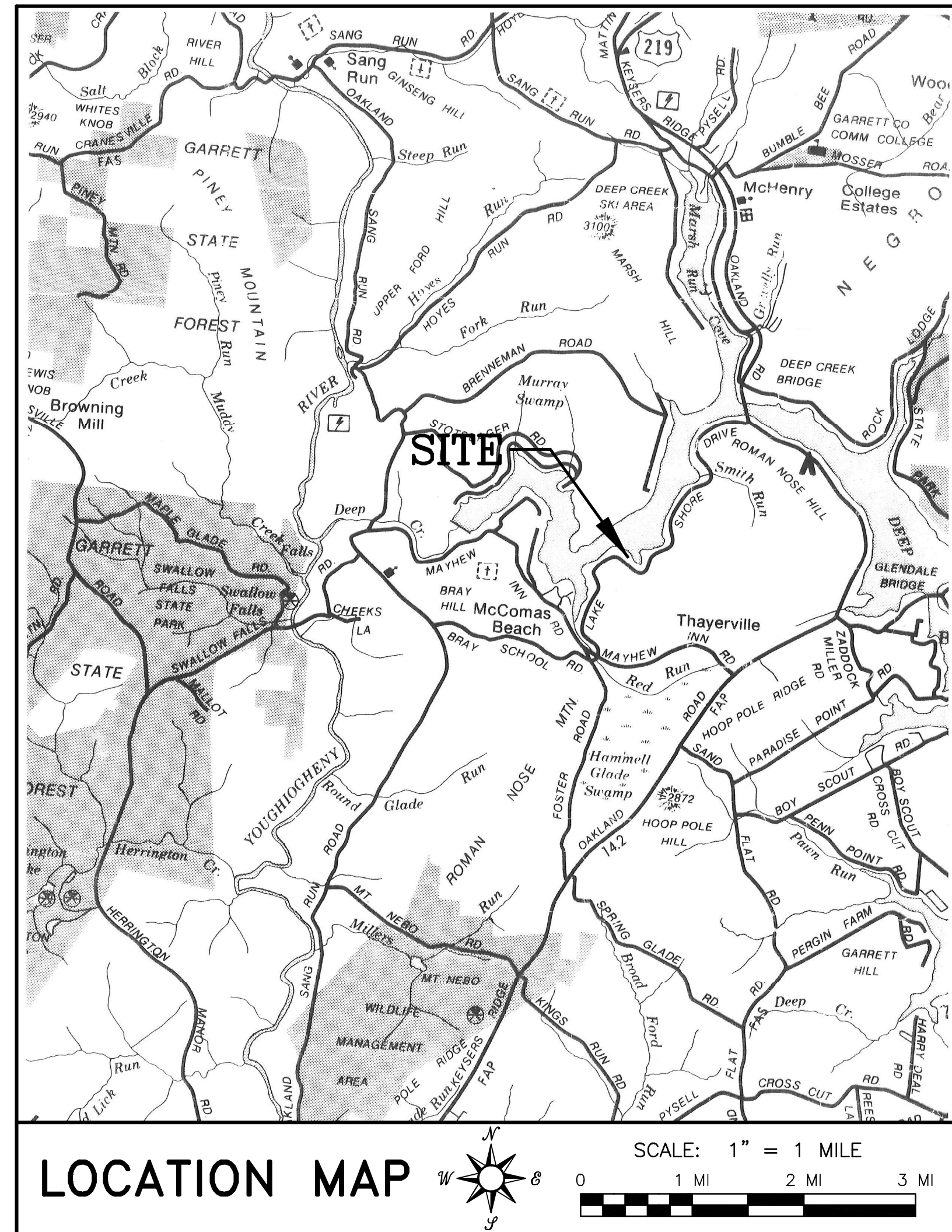


SITE WORK PLANS AND SPECIFICATIONS FOR THE XXX RESIDENCE



SHEET INDEX

SHEET NO.	DESCRIPTION
1	COVER SHEET AND EROSION & SEDIMENT CONTROL PLAN-VICINITY MAP, SOILS MAP, SEDIMENT & EROSION CONTROL NOTES, CONSTRUCTION SEQUENCE, SITE NOTES
2	EROSION & SEDIMENT CONTROL AND STORMWATER MANAGEMENT PLAN AND EROSION & SEDIMENT CONTROL DETAILS
3	STORMWATER MANAGEMENT DETAILS AND NOTES

NOTES:

- The total site area is XXX SQ. FT./XXX acre.
- The estimated area of disturbance is 0.XXX acre.
- The Contractor will be responsible for having the locations of all utilities identified in the field prior to construction. Miss Utility should be contacted 1-800-257-7777 or 1-301-792-2401 or 1-301-470-2747 prior to construction and as required throughout construction.
- The Contractor shall be completely and solely responsible and liable for any and all utility damages, property damages, bodily injuries, financial losses and interruptions of service that result from or are attributable to his construction activities.
- Work in the vicinity of public water and sewer lines shall be coordinated with Garrett County Public Works (301-334-6983).
- No construction is proposed within any nontidal wetland or nontidal wetland buffer.
- No construction is proposed within any FEMA designated 100 year flood plain.
- Any mud or debris tracked onto a public road will be removed immediately in accordance with Garrett County Ordinance 248-47 regarding debris dropped from vehicles.
- Total excavation is estimated to be xxx cubic yards and total fill is estimated to be xxx cubic yards. Maximum depth of excavation shall be x ft.
- Off-site disposal shall be at approved locations.
- Material stockpiling will be within the construction limits.

EROSION AND SEDIMENT CONTROL NOTES

- THE CONTRACTOR SHALL PROTECT ALL POINTS OF CONSTRUCTION INGRESS AND EGRESS TO PREVENT THE DEPOSITION OF MATERIALS ONTO PUBLIC ROADS. ALL MATERIALS DEPOSITED ONTO PUBLIC ROADS SHALL BE REMOVED IMMEDIATELY.
- THE CONTRACTOR SHALL INSPECT DAILY AND MAINTAIN CONTINUOUSLY IN EFFECTIVE OPERATING CONDITION ALL EROSION AND SEDIMENT CONTROL MEASURES UNTIL SUCH TIME AS PERMANENT STABILIZATION OF EXPOSED SOIL OCCURS.
- WHEN PROPERTY IS BROUGHT TO FINISHED GRADE DURING THE MONTHS OF NOVEMBER THROUGH FEBRUARY, AND PERMANENT STABILIZATION IS FOUND TO BE IMPRACTICAL, TEMPORARY SEED AND ANCHORED STRAW MULCH SHALL BE APPLIED TO DISTURBED AREAS. THE FINAL PERMANENT STABILIZATION OF SUCH PROPERTY SHALL BE APPLIED BY APRIL 15 OR EARLIER IF GROUND AND WEATHER CONDITIONS ALLOW.
- THE SITE'S APPROVED EROSION AND SEDIMENT CONTROL PLANS SHALL BE AVAILABLE AT THE SITE.
- THE APPLICANT IS RESPONSIBLE FOR OBTAINING ANY OTHER FEDERAL, STATE, OR LOCAL AUTHORIZATIONS WHICH MAY BE

6. FOLLOWING INITIAL SOIL DISTURBANCE OR REDISTURBANCE, PERMANENT OR TEMPORARY STABILIZATION SHALL BE COMPLETED WITHIN THREE (3) CALENDAR DAYS AS TO THE SURFACE OF ALL PERIMETER CONTROLS, DIKES, SWALES, DITCHES, PERIMETER SLOPES, AND ALL SLOPES GREATER THAN 3 HORIZONTAL TO 1 VERTICAL (3:1); AND SEVEN (7) DAYS AS TO ALL OTHER DISTURBED OR GRADED AREAS ON THE PROJECT SITE.

- THE APPROVAL OF THIS PLAN MAKES NO REPRESENTATION AS TO THE EXISTENCE OR NONEXISTENCE OF ANY UTILITIES AT THIS SITE. IT IS THE RESPONSIBILITY OF THE LANDOWNERS OR OPERATORS AND CONTRACTORS TO ASSURE THAT NO HAZARD EXISTS OR DAMAGE WILL OCCUR TO UTILITIES. IT IS SUGGESTED THAT MISS UTILITY BE CONTACTED AT: PHONE 1-800-257-7777.

SEEDING SPECIFICATIONS

TEMPORARY SEEDING SUMMARY:

Species	Application Rate (lb/ac)	Seeding Dates	Seeding Depths	Fertilizer Rate (10-20-20)		Lime Rate
				N	P ₂ O ₅	
Annual Ryegrass or	40	Mar 15 to May 31	0.5 in.	436 lb/acre (10 lb/1000 sf)	90 lb/acre (2.0 lb/1000 sf)	2 tons/acre (90 lb/1000 sf)
Foxtail Millet or	30	June 1 to July 31	0.5 in.			
Annual Ryegrass	40	Aug. 1 to Sept. 30	0.5 in.			

PERMANENT SEEDING SUMMARY:

Species	Application Rate (lb/ac)	Seeding Dates	Seeding Depths	Fertilizer Rate (10-20-20)			Lime Rate
				N	P ₂ O ₅	K ₂ O	
Tall Fescue (Low Endophyte)	40	Mar 15 to May 31	½ to ¾ in.	45 lb/acre (1.0 lb/1000 sf)	90 lb/acre (2.0 lb/1000 sf)	90 lb/acre (2.0 lb/1000 sf)	2 tons/acre (90 lb/1000 sf)
Birdsfoot Trefoil (inoculated)	8	or	½ to ¾ in.				
Perennial Ryegrass	25	Aug. 1 to Sept. 30	½ to ¾ in.				

- Loosen upper three inches of soil by raking, discing, or etc.
- Apply lime and fertilizer.
- Harrow, disc, or rake into the upper three inches of soil.
- Seed.
- Mulch with hay or straw at 2 tons/acre.
- Anchor mulch by tracking up and down slopes with a tractor so that cleat marks run across the slope. Cleats should penetrate the soil a minimum of 1½ inches.

NOTE: LAWN GRASS MIXTURES WITH MULCH AND LANDSCAPE PLANTINGS WITH MULCH MAY BE SUBSTITUTED FOR THE MIXTURES SPECIFIED PROVIDED THERE IS 95% GROUND COVER.

APPROVAL FOR SEDIMENT CONTROL

GARRETT SOIL CONSERVATION DISTRICT

SIGNATURE _____

TITLE _____ DATE _____

POND APPROVAL: YES NO NA

APPROVAL FOR STORMWATER MANAGEMENT

GARRETT COUNTY STORMWATER MANAGEMENT

SIGNATURE _____

TITLE _____ DATE _____

POND APPROVAL: YES NO NA

GP NO. _____

DESIGN CERTIFICATION

I HEREBY CERTIFY THAT THIS PLAN OF EROSION & SEDIMENT CONTROL AND/OR POND DESIGN IS/ARE IN ACCORDANCE WITH THE 2011 MARYLAND STANDARDS AND SPECIFICATIONS FOR SOIL EROSION AND SEDIMENT CONTROL AND ANY OTHER LOCAL OR STATE REQUIREMENTS. ANY STORMWATER STRUCTURES ARE DESIGNED IN ACCORDANCE WITH THE GARRETT COUNTY STORMWATER MANAGEMENT ORDINANCE AND ACCEPTED STANDARDS OF ENGINEERING PRACTICE.

DATE _____ PHONE NUMBER _____ ENGINEER'S NAME _____

OWNER'S/DEVELOPER'S CERTIFICATION

"I/WE HEREBY CERTIFY THAT ALL CLEARING, GRADING, CONSTRUCTION AND/OR DEVELOPMENT WILL BE DONE PURSUANT TO THIS PLAN AND THAT ANY RESPONSIBLE PERSONNEL INVOLVED IN THE CONSTRUCTION PROJECT WILL HAVE A CERTIFICATION OF ATTENDANCE AT A MARYLAND DEPARTMENT OF THE ENVIRONMENT APPROVED TRAINING PROGRAM FOR THE CONTROL OF SEDIMENT AND EROSION BEFORE BEGINNING THE PROJECT. I HEREBY AUTHORIZE THE RIGHT OF ENTRY FOR PERIODIC ON-SITE EVALUATION BY STATE OF MARYLAND, DEPARTMENT OF THE ENVIRONMENT, COMPLIANCE INSPECTORS."

DATE _____ PHONE NO. _____ OWNER/DEVELOPER SIGNATURE _____

ADDRESS _____ PRINTED NAME & TITLE _____

CONSTRUCTION SEQUENCE

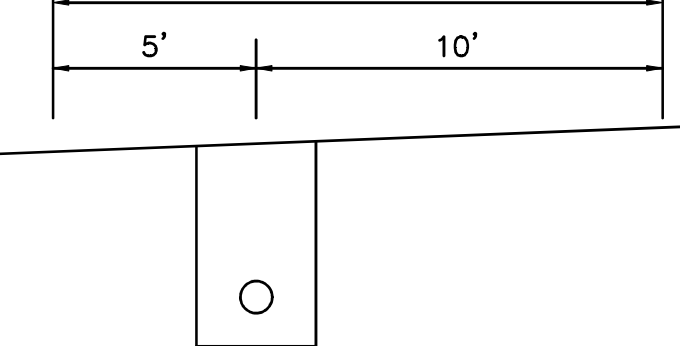
Prior to the start of construction, contact the Maryland Department of the Environment at 301-689-1480 to schedule a preconstruction meeting. MDE should also be contacted when sediment controls are in place and after the site is stabilized, but before removing the sediment controls at the phone number above. Inform the Garrett County Office of Permit and Inspection Services at 301-334-7470 prior to the start of construction.

- Cut trees and grub area for sediment controls.
- Install sediment controls as shown on plan and indicated here, per standard details:
 - Stabilized Construction Entrance (Stone back from roadway 50 ft with #2 stone)
 - Stone Mountable Berm (Driveway is uphill slope from road)
 - Silt Fence (2-10% slope: To 125 ft. drainage slope maximum distance)
 - Super Silt Fence (0-10% slope; unlimited slope distance, 10-20%: 200 ft. slope distance, 20-50%: 100 ft. slope distance, 50%+: 50 ft. slope distance)
- Seed and mulch disturbed and re-disturbed areas of site per specifications this sheet until permanent stabilization is established.
- Removed stumps. Excavate area for driveway and parking area. Stone at least 50 ft back from access roadway. Stabilize disturbed area of driveway with stone by end of working day.
- Excavate/prepare site for house.
- Construct house.
- Place 6" of gravel/stone/or CR-6 for parking area or remaining driveway. Compact.
- Excavate for and install stormwater controls as shown on approved plan for rooftop and impervious area runoff control. Approved plan will contain construction specifications, notes, and required inspection information. Stormwater controls must be installed and approved by GC permits office inspection or certified as-built before "Use and Occupancy" permit can be signed.
- Clean up construction site and complete final site grading.
- When disturbed areas are stabilized and/or 100% vegetated with grass cover or other vegetation, remove sediment controls.

UTILITY CONSTRUCTION SEDIMENT CONTROL PRACTICES

- EXCAVATED TRENCH MATERIAL SHALL BE PLACED ON UPSLOPE SIDE OF TRENCH.
- IMMEDIATELY FOLLOWING PIPE INSTALLATION, THE TRENCH SHALL BE BACKFILLED, COMPACTED AND IMMEDIATELY STABILIZED (MULCHED OR GRAVELED) AT THE END OF EACH WORK DAY.
- ANY TRENCHING DONE WITHIN EXISTING DITCHES MAY REQUIRE A DITCH DESIGN, INCLUDING APPROPRIATE LINING, MATTING, RIPRAP, ETC.
- SILT FENCE SHALL BE PLACED IMMEDIATELY DOWN SLOPE OF ANY DISTURBED AREA INTENDED TO REMAIN DISTURBED LONGER THAN ONE (1) WORKING DAY. (INSTALL SILT FENCE PER DETAIL E-1).
- THE CONTRACTOR SHALL DISTURB AND OPEN ONLY THE TRENCH REQUIRED TO ACCOMPLISH THE WORK DESIGNATED FOR EACH DAY.
- ALL SEDIMENT AND EROSION CONTROL PRACTICES AND VEGETATIVE STABILIZATION SHALL BE IN ACCORDANCE WITH THE "2011 STANDARDS AND SPECIFICATIONS FOR SOIL EROSION AND SEDIMENT CONTROL."

CONSTRUCTION LIMIT



TYPICAL CONSTRUCTION LIMIT FOR UTILITY WORK

Revisions		
No.	Description	Date
1		
2		
3		
4		
5		
6		

PROFESSIONAL CERTIFICATION

I HEREBY CERTIFY THAT THESE DOCUMENTS WERE PREPARED OR APPROVED BY ME, AND THAT I AM A DULY LICENSED PROFESSIONAL ENGINEER UNDER THE LAWS OF THE STATE OF MARYLAND, LICENSE NO. _____, EXPIRATION DATE _____.

Signature: _____
Date: _____

Client:

Title: **SITE WORK PLAN AND SEPCIFICATIONS FOR THE XXXX RESIDENCE**

Location: TOWN * GARRETT COUNTY * MARYLAND

Description: **COVER SHEET EROSION & SEDIMENT CONTROL PLAN**

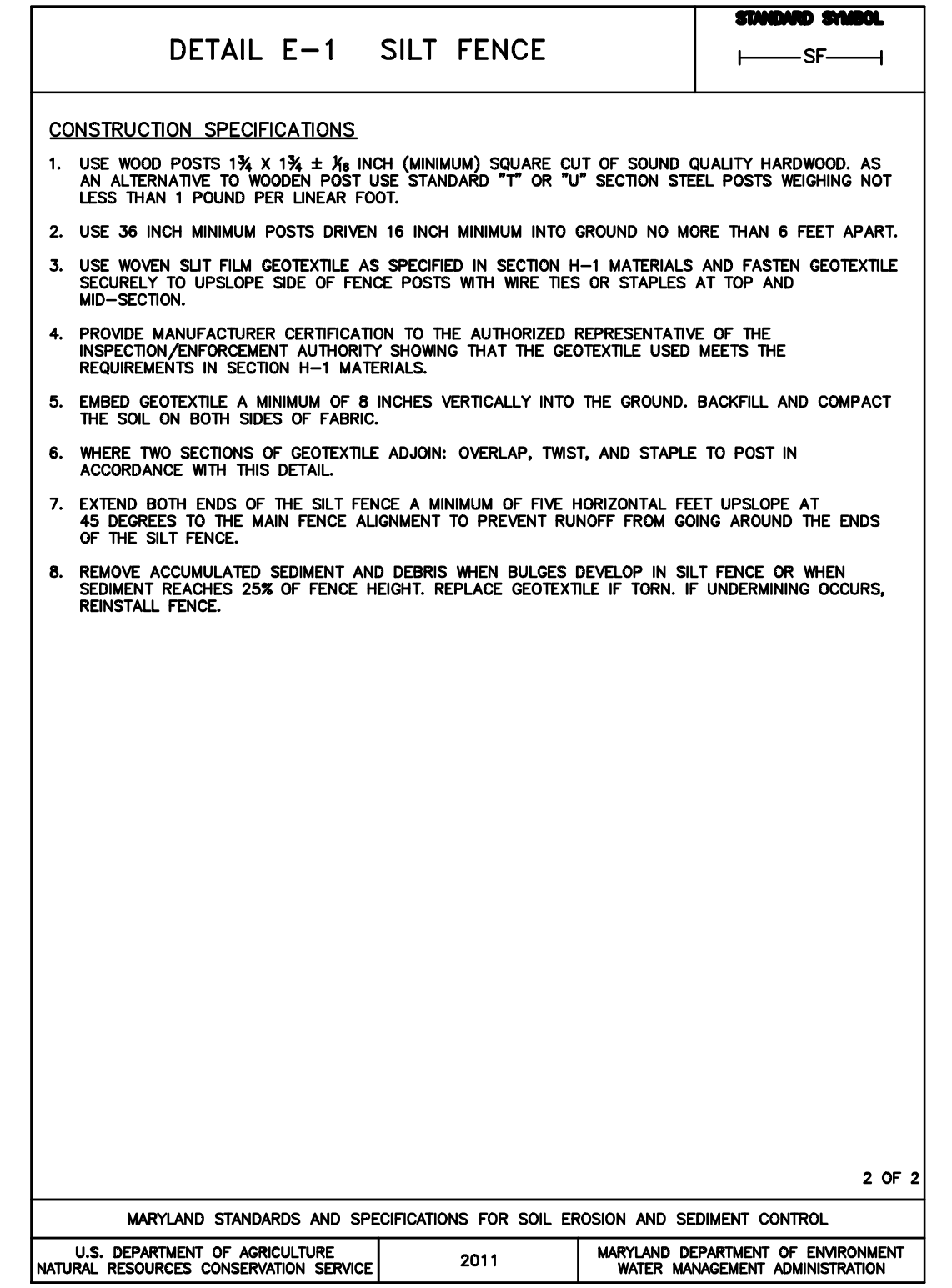
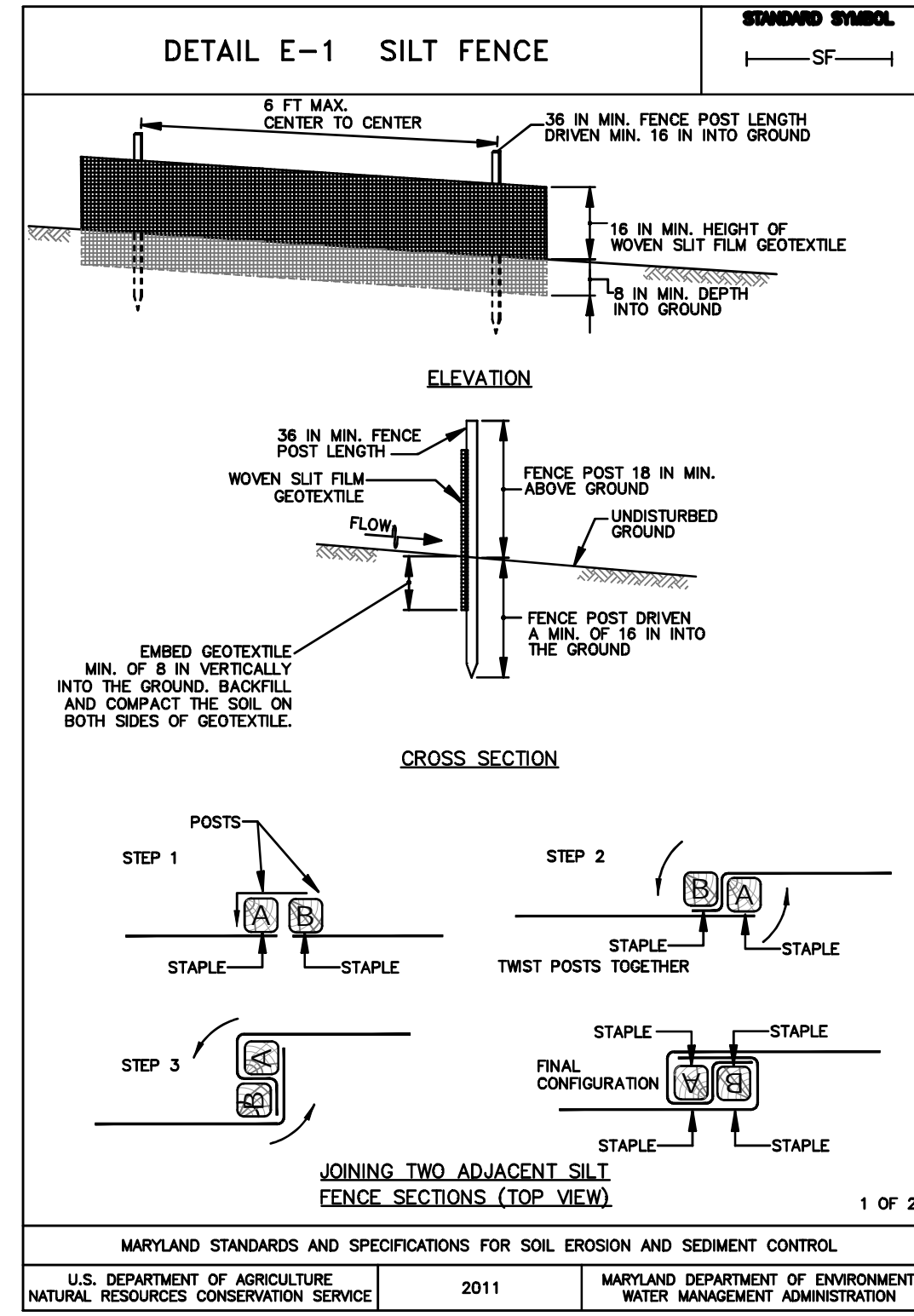
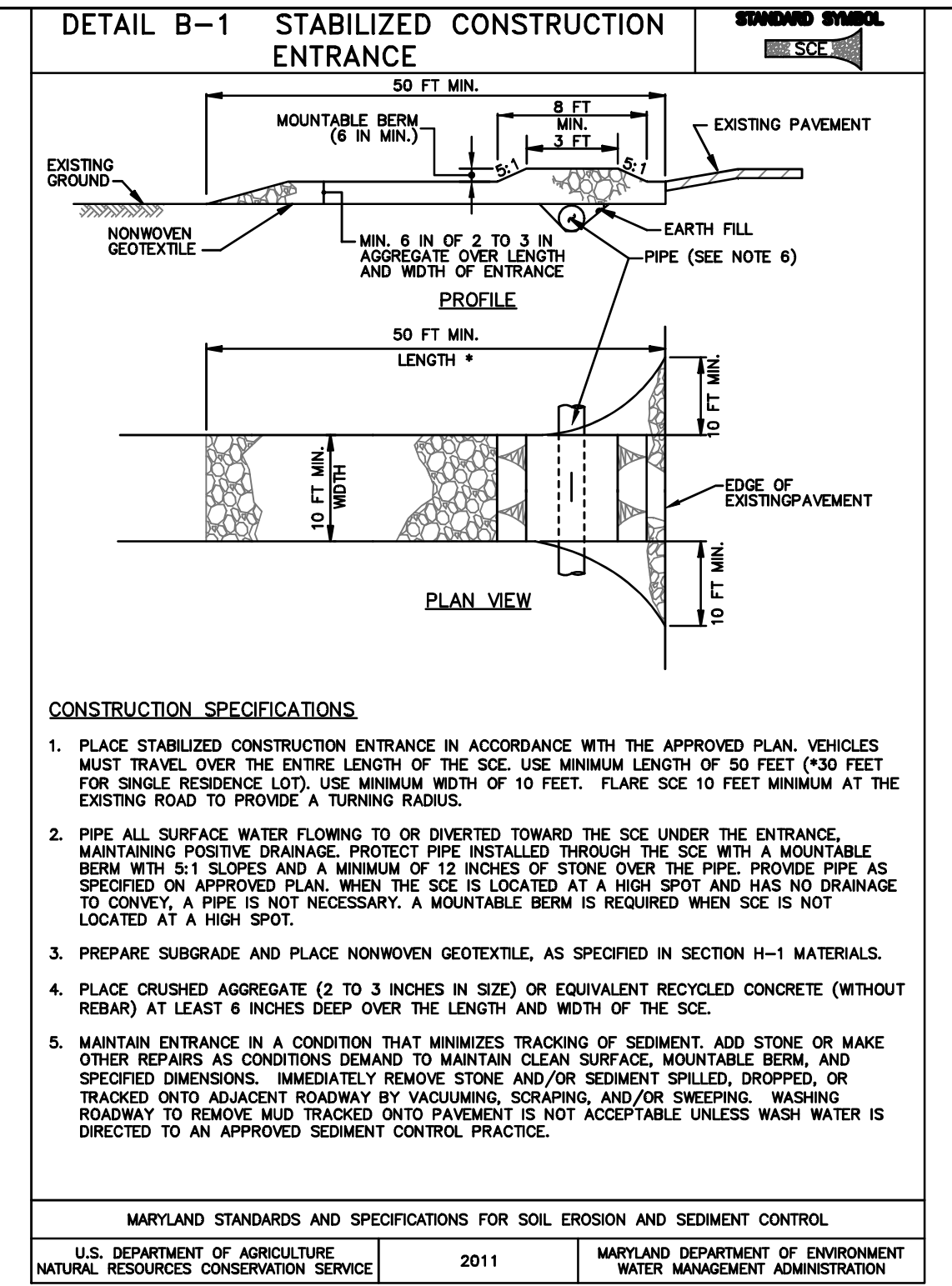
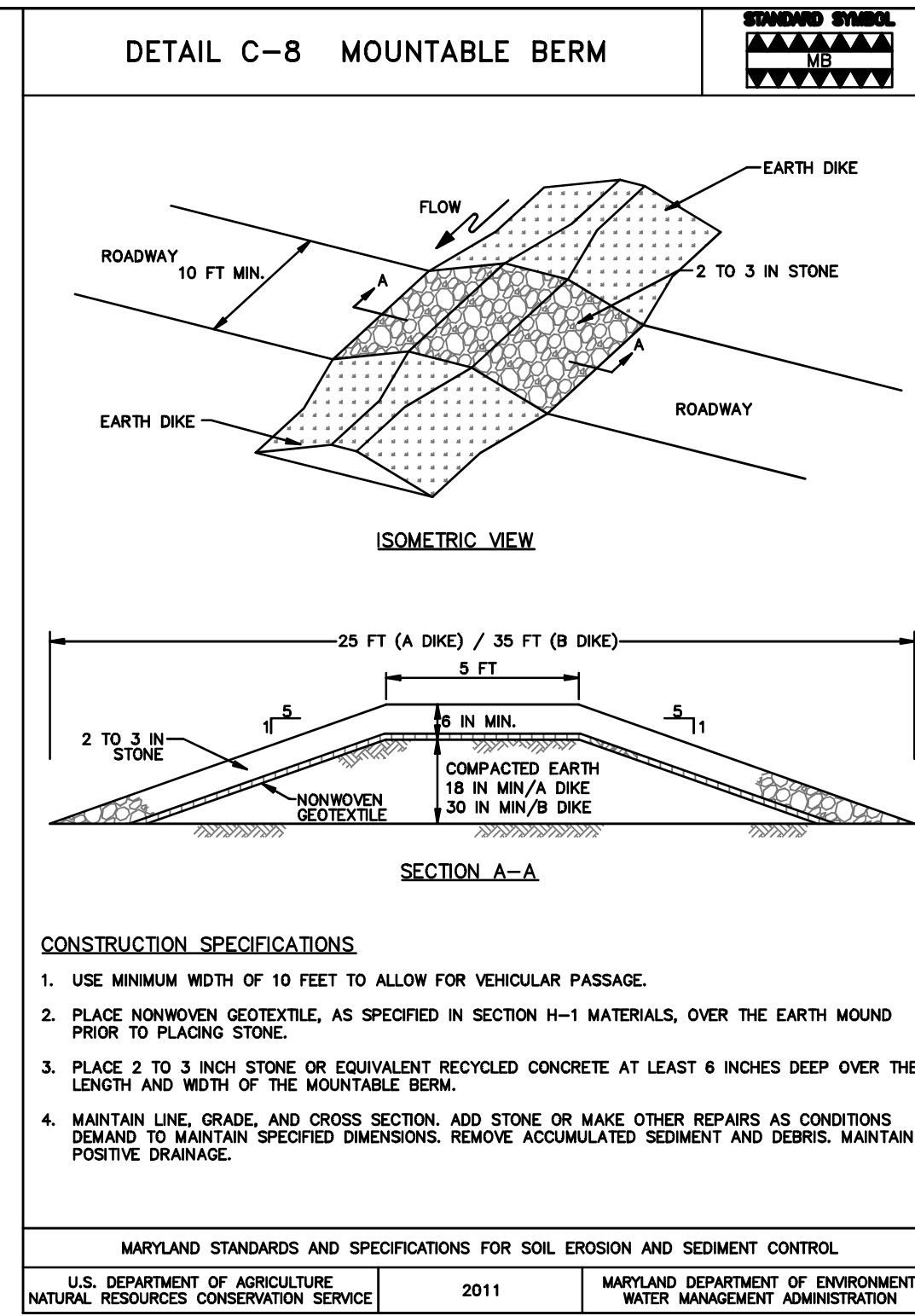
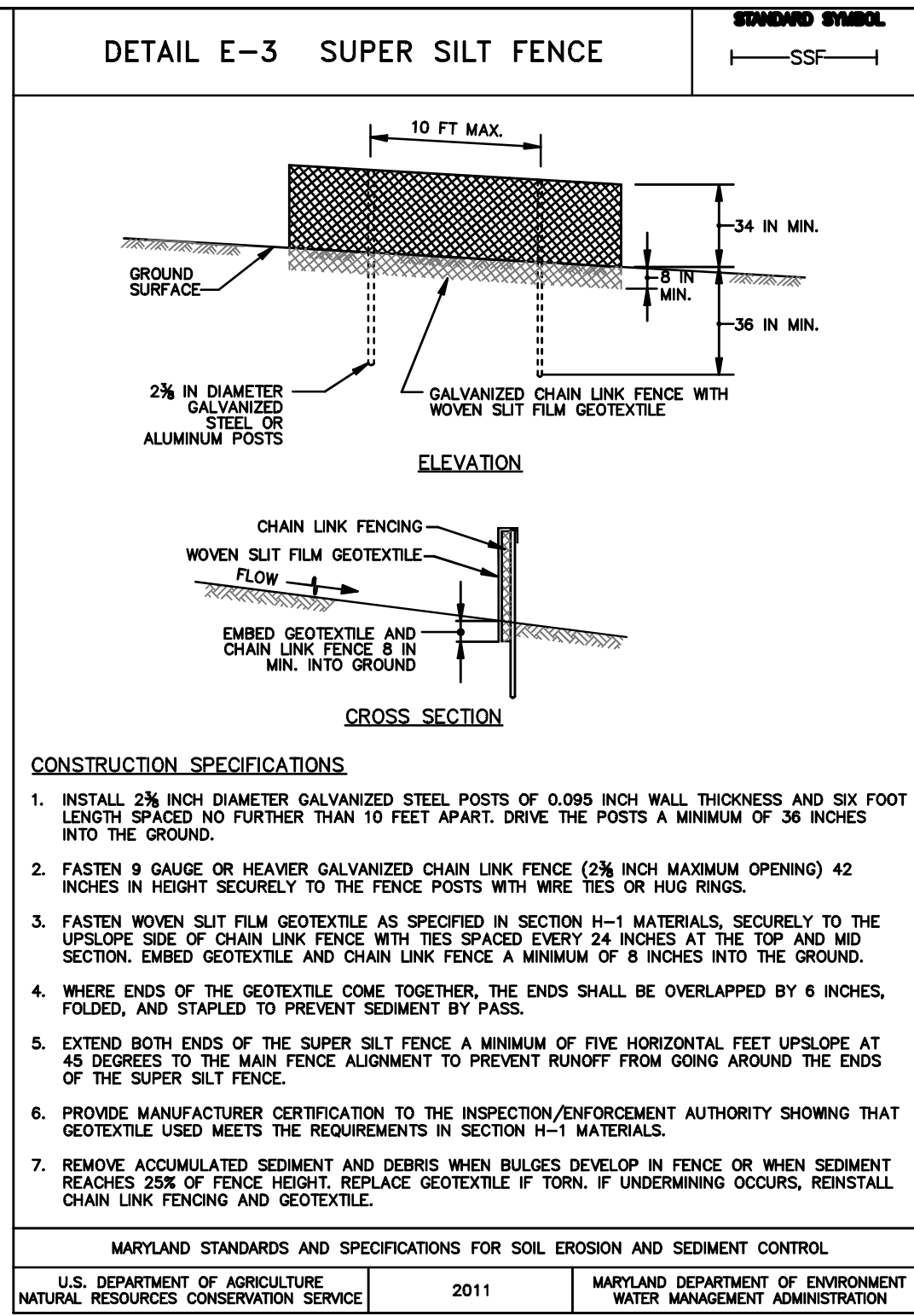
Sheet No.:

Dwg. No.:

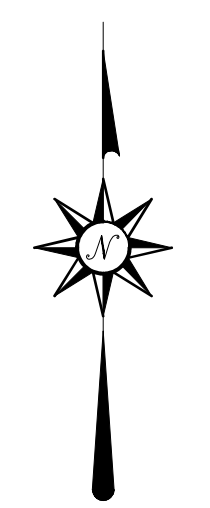
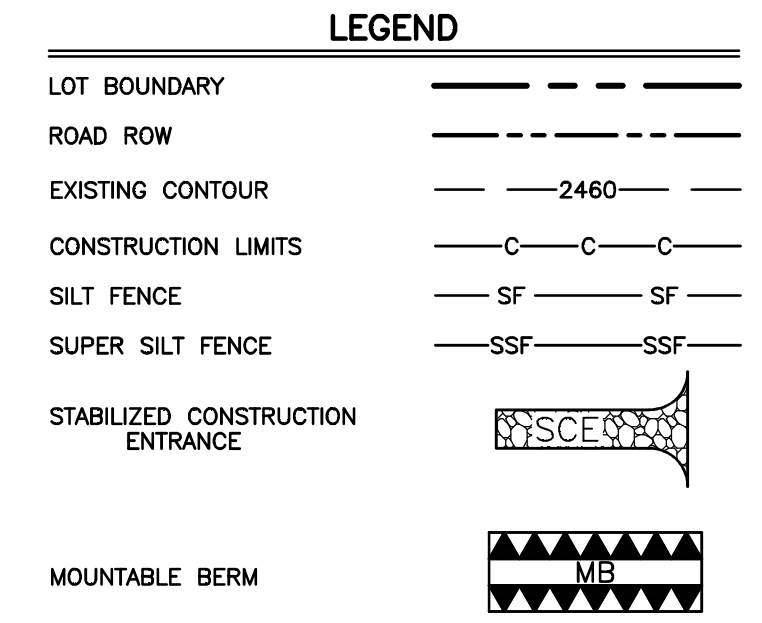
Date:

Scale: AS NOTED

Insert plan view with proposed improvements, E&S, and SWM controls here.



ESTIMATED AREA OF DISTURBANCE XX,XXX FT²



STORMWATER MANAGEMENT CONTROL AND SEDIMENT AND EROSION CONTROL PLAN VIEW

Revisions		
No.	Description	Date
1		
2		
3		
4		
5		
6		

PROFESSIONAL CERTIFICATION

I HEREBY CERTIFY THAT THESE DOCUMENTS WERE PREPARED OR APPROVED BY ME, AND THAT I AM A DULY LICENSED PROFESSIONAL ENGINEER UNDER THE LAWS OF THE STATE OF MARYLAND, LICENSE NO. _____, EXPIRATION DATE _____.

Signature: _____
Date: _____

Client: _____

Title: SITE WORK PLANS AND SPECIFICATIONS FOR THE XXXX RESIDENCE	Sheet No.:
Location: TOWN * GARRETT COUNTY * MARYLAND	Dwg. No.:
Description: STORMWATER MANAGEMENT AND EROSION & SEDIMENT CONTROL PLANS AND E&S DETAILS	Date:
	Scale: AS NOTED

Include any additional notes, details, and maintenance schedules for SWM controls on this page.

IMPROVEMENTS WILL INCREASE IMPERVIOUS AREA	XXXX FT ²
---	----------------------

Revisions				
No. Description Date		PROFESSIONAL CERTIFICATION	Client:	Title: SITE WORK PLANS AND SPECIFICATIONS FOR THE XXXX RESIDENCE
1		I HEREBY CERTIFY THAT THESE DOCUMENTS WERE PREPARED OR APPROVED BY ME, AND THAT I AM A DULY LICENSED PROFESSIONAL ENGINEER UNDER THE LAWS OF THE STATE OF MARYLAND, LICENSE NO. _____, EXPIRATION DATE _____.		Location:
2		Signature: _____ Date: _____		TOWN * GARRETT COUNTY * MARYLAND
3				Description: STORMWATER MANAGEMENT PLAN NOTES AND DETAILS
4				Date:
5				Scale: AS NOTED
6				