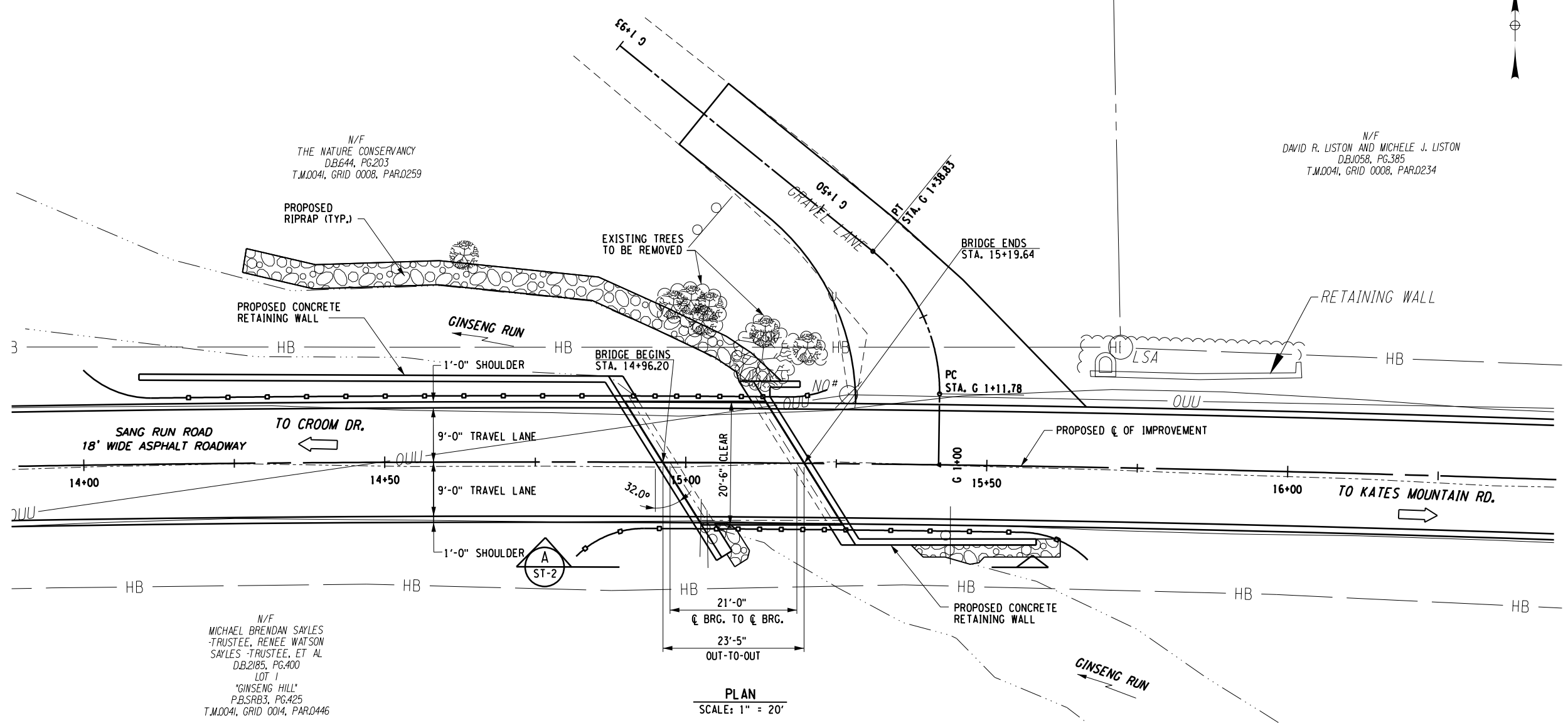


FILE NAME = I:\Projects\2900\2932 - Garrett County\2932.007 - G058 Sang Run\2932.007-0058-PROPOSED.PLAN.dgn  
 DATE = 2/11/2026  
 TIME = 10:06:23 AM

IN CHARGE OF: opd  
 DESIGNED BY: imp  
 CHECKED BY: bmt  
 DRAFTED BY: imp  
 CHECKED BY: imp

I HEREBY CERTIFY THAT THESE DOCUMENTS WERE PREPARED OR APPROVED BY ME, AND THAT I AM A DULY LICENSED PROFESSIONAL ENGINEER UNDER THE LAWS OF THE STATE OF MARYLAND.

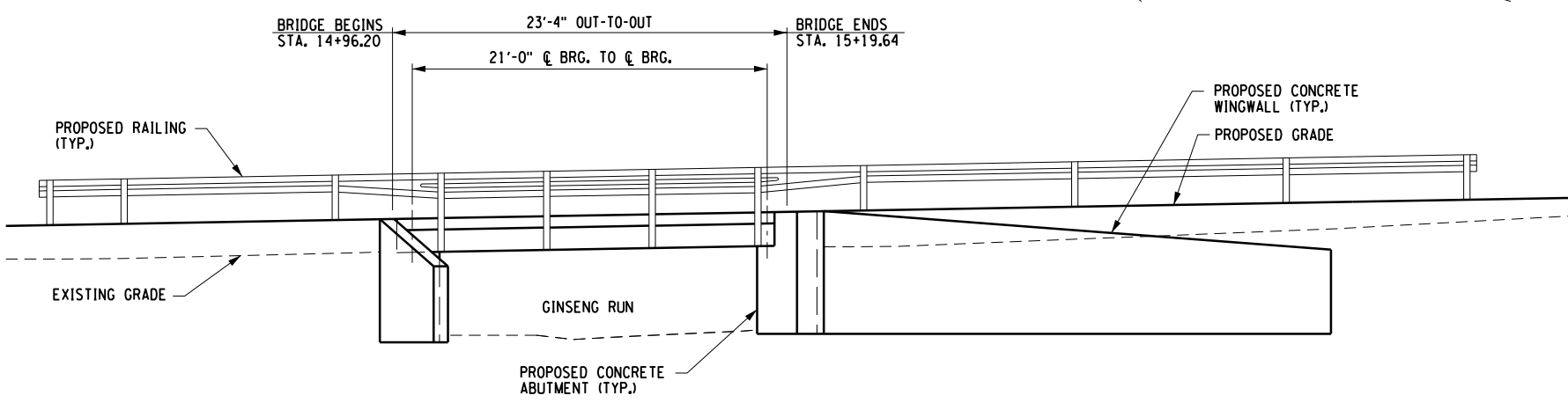
LICENSE NO. 64962  
 EXPIRATION DATE: 05/18/2027  
 PREPARED BY: BARTON & LOGUIDICE, D.P.C.



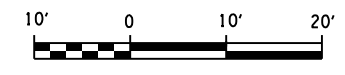
N/F  
 MICHAEL BRENDAN SAYLES - TRUSTEE, RENEE WATSON SAYLES - TRUSTEE, ET AL  
 D.B.2185, PG.400  
 LOT 1  
 'GINSENG HILL'  
 P.B.SRB3, PG.425  
 T.M.0041, GRID 0014, PAR.0446

N/F  
 THE NATURE CONSERVANCY  
 D.B.644, PG.203  
 T.M.0041, GRID 0008, PAR.0259

N/F  
 DAVID R. LISTON AND MICHELE J. LISTON  
 D.B.1058, PG.385  
 T.M.0041, GRID 0008, PAR.0234



ELEVATION A  
 SCALE: 1" = 10'  
 ST-2



NO.	DATE	BY	REVISION



**Barton & Loguidice**  
 UNAUTHORIZED ALTERATION OR ADDITION TO THIS DRAWING IS A VIOLATION OF THE NEW YORK STATE EDUCATION LAW ARTICLE 145 SECTION 7209

SANG RUN ROAD OVER GINSENG RUN  
 GARRETT COUNTY  
 G-058

PROPOSED BRIDGE PLAN AND ELEVATION  
 SCALE: AS SHOWN  
 DATE ISSUED: 01/2026  
 DRAWING ST-2

FILE NAME = I:\Projects\2900\2932 - Garrett County\2932.007 - 0058 Sang Run\2932.007-0058-BRIDGE-SECTION.dgn  
 DATE = 2/10/2026  
 TIME = 11:35:49 AM

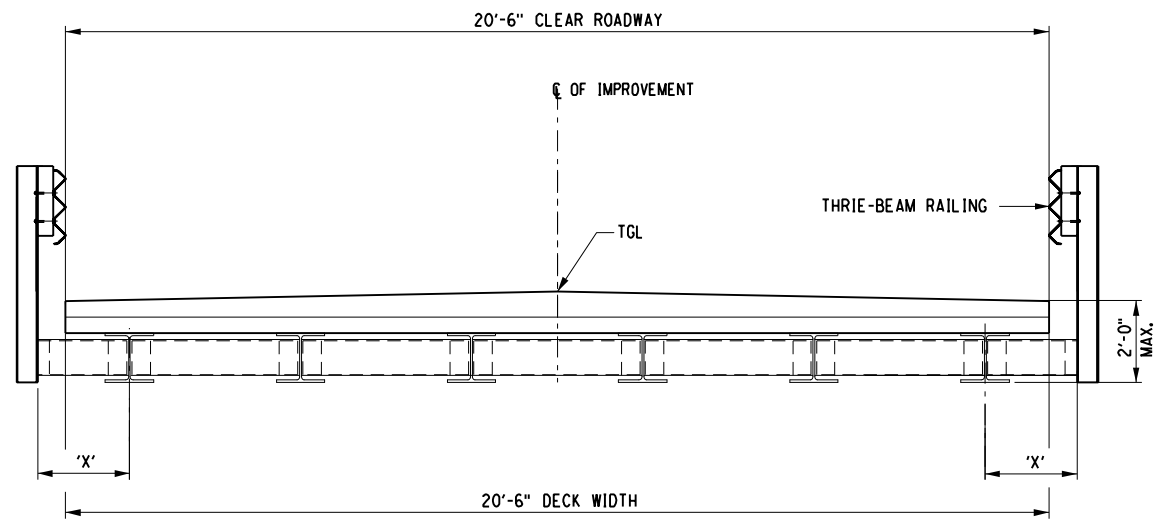
MEK  
 I:\microstation\bentley v8i\workspace\plot\mysdot\_size\_b\_xerox.tbl  
 I:\microstation\bentley v8i\workspace\plot\mysdot\_xrx\_c60-1.rsp

IN CHARGE OF \_\_\_\_\_ opd  
 DESIGNED BY \_\_\_\_\_ imp  
 CHECKED BY \_\_\_\_\_ bmt  
 DRAFTED BY \_\_\_\_\_ imp  
 CHECKED BY \_\_\_\_\_ imp

I HEREBY CERTIFY THAT THESE DOCUMENTS WERE PREPARED OR APPROVED BY ME, AND THAT I AM A DULY LICENSED PROFESSIONAL ENGINEER UNDER THE LAWS OF THE STATE OF MARYLAND.

LICENSE NO. 64962  
 EXPIRATION DATE: 05/18/2027

PREPARED BY: BARTON & LOGUIDICE, D.P.C.



**BRIDGE SECTION**  
 SCALE: 1/4" = 1'-0"

NO.	DATE	BY	REVISION



**Barton & Loguidice**  
 UNAUTHORIZED ALTERATION OR ADDITION TO THIS DRAWING IS A VIOLATION OF THE NEW YORK STATE EDUCATION LAW, ARTICLE 145 SECTION 7209

SANG RUN ROAD OVER  
 GINSENG RUN  
 GARRETT COUNTY  
 C-058

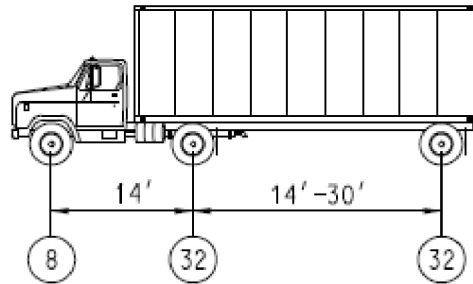
BRIDGE SECTION  
 SCALE: AS SHOWN  
 DATE ISSUED: 01 / 2026  
 DRAWING

**Structural Load Ratings**

**RATING VEHICLES**

(All numbers in circles are axle loads in 1,000 lbs i.e. (8) – 8,000 lb axle load)

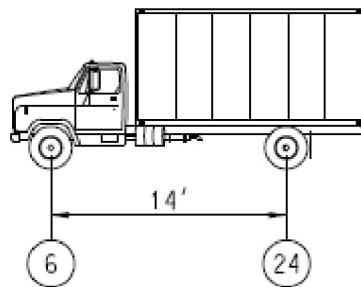
**LRFR Design Vehicle (Non Permit Load rating):**



**HL-93 (SIA Items 401 and 402)**

**72,000 pounds include AASHTO Lane Load and tandem where applicable**  
 (If the LRFD method was used in the design of the structure)

**Legal Load Rating Vehicles:**



**H-15 (SIA Items 403 and 404)**  
**30,000 pounds**

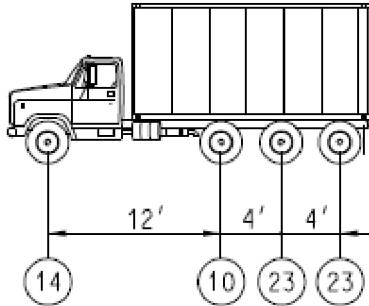
**INSPECTION**

Number:  
 D-97-47(4)

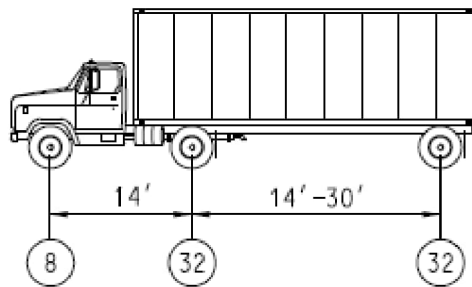
Date:  
 08-10-2018

Approval:  
 See Sheet 1

**Structural Load Ratings**

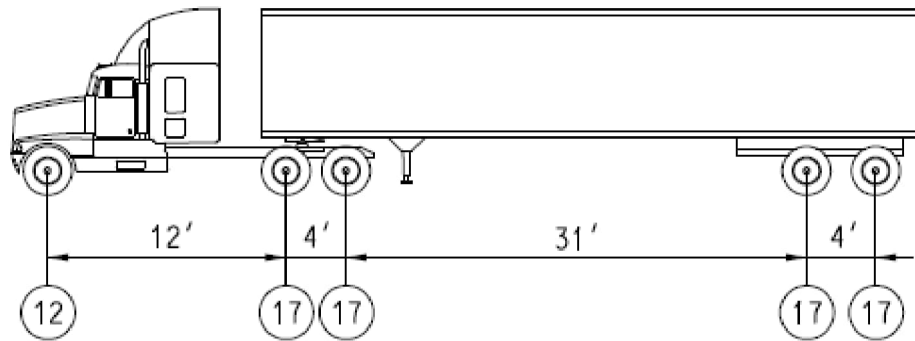


**Type 4 – Reduced Lift Axle (10 kips maximum on lift) (SIA Items 407 and 408)**  
**70,000 pounds**



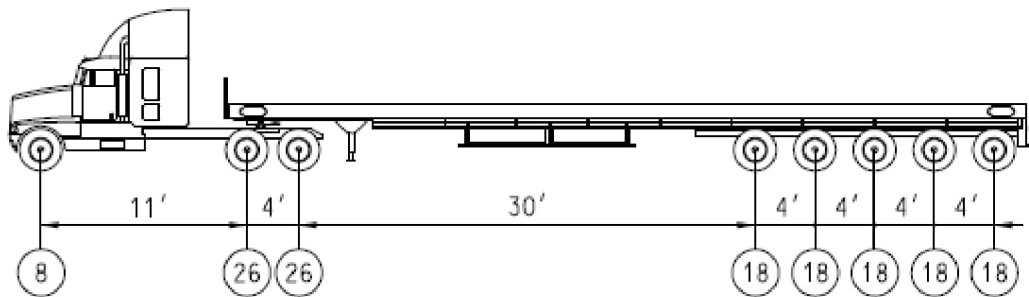
**HS-20 (items 409 and 410)**  
**72,000 pounds**  
*(Evaluation not required if HL-93 is rated)*

**Structural Load Ratings**



**3S2 (SIA Items 411 and 412)**  
**80,000 pounds**

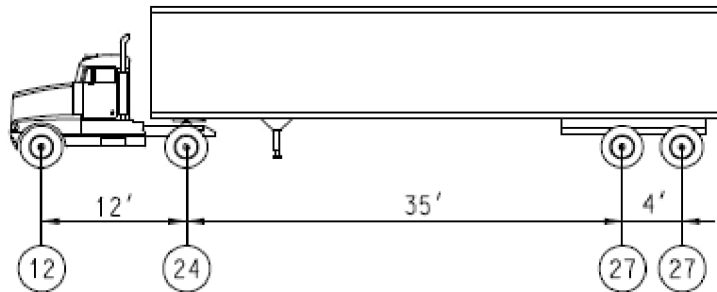
**Permit Load Rating Vehicles:**



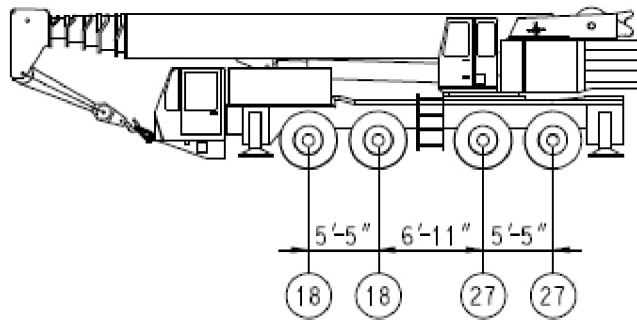
**150,000 pound Vehicle (SIA Items 413 and 414)**

**Structural Load Ratings**

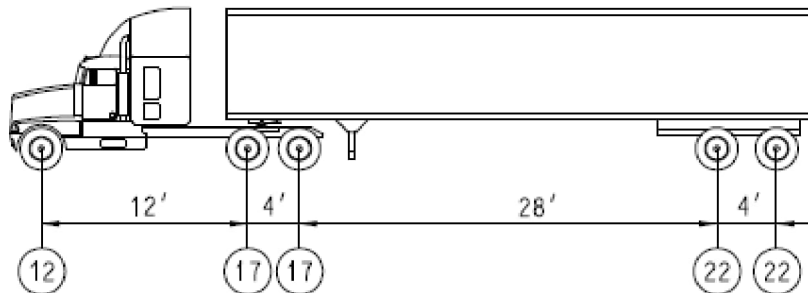
**Permit Load Rating Vehicles - continued:**



**90,000 pound Permit Combination Vehicle (SIA Items 415 and 416)**



**90,000 pound Mobile Crane Vehicle (SIA Items 417 and 418)**



**90,000 pound Cargo Vehicle (SIA Items 419 and 420)**

**INSPECTION**

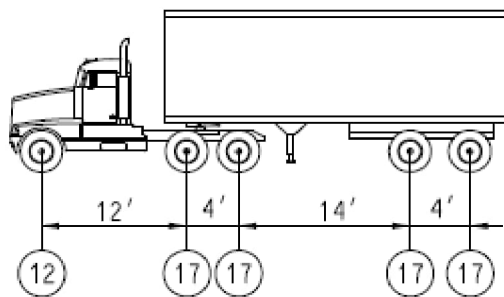
Number:  
 D-97-47(4)

Date:  
 08-10-2018

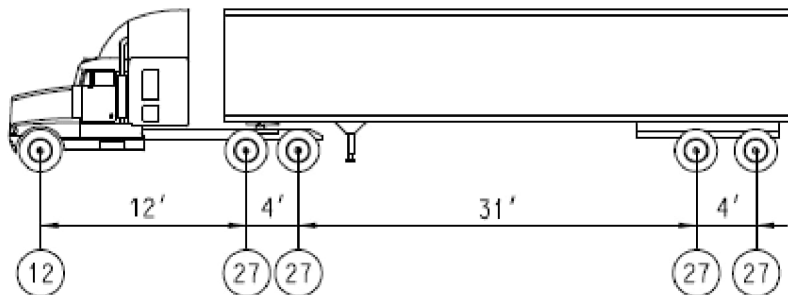
Approval:  
 See Sheet 1

**Structural Load Ratings**

**Permit Load Rating Vehicles - continued:**



**80,000 pound Cargo Vehicle (SIA Items 421 and 422)**



**120,000 pound Combination Vehicle (SIA Items 423 and 424)**

**INSPECTION**

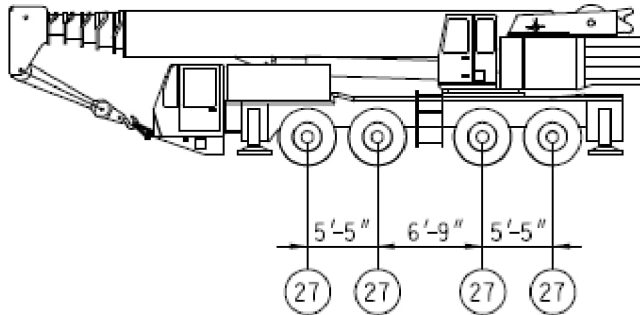
Number:  
 D-97-47(4)

Date:  
 08-10-2018

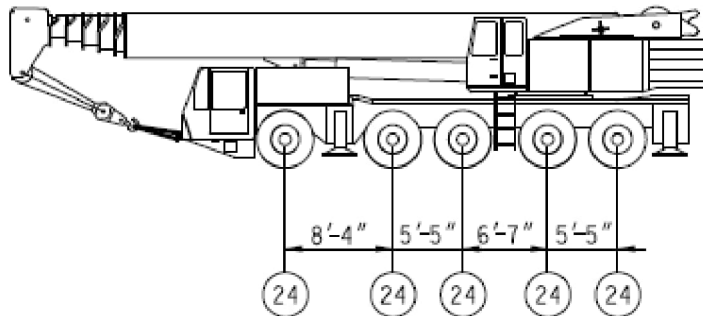
Approval:  
 See Sheet 1

**Structural Load Ratings**

**Permit Load Rating Vehicles - continued:**



**108,000 pound Mobile Crane Vehicle (SIA Items 425 and 426)**



**120,000 pound Mobile Crane Vehicle (SIA Items 427 and 428)**